





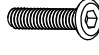




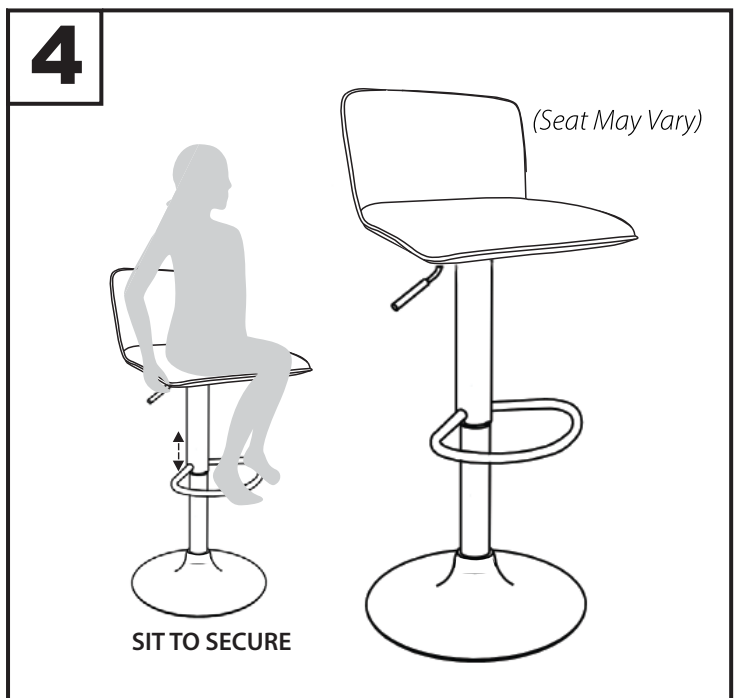
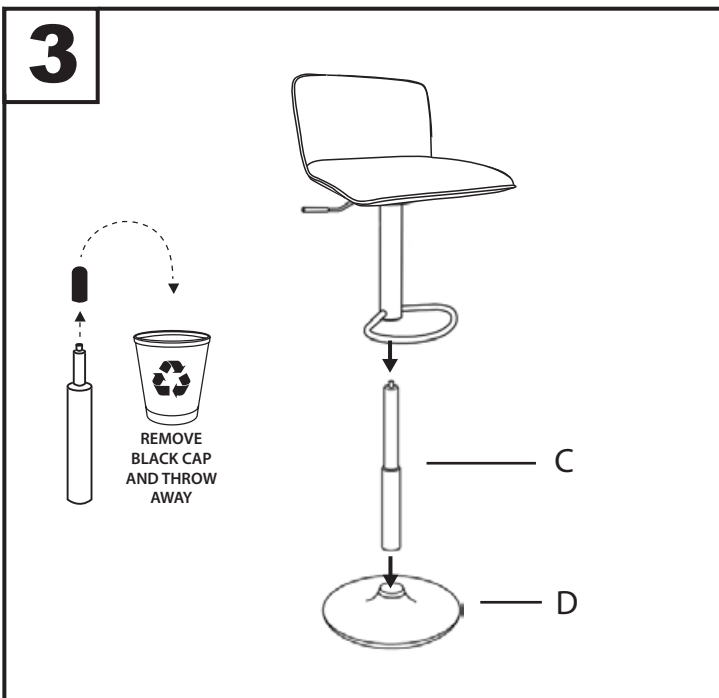
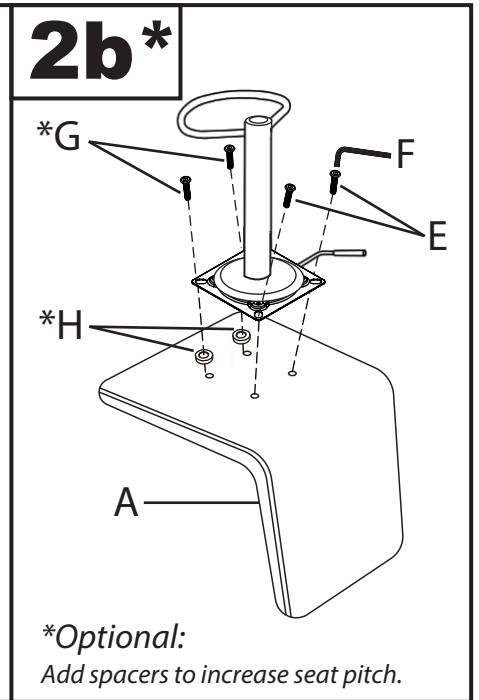
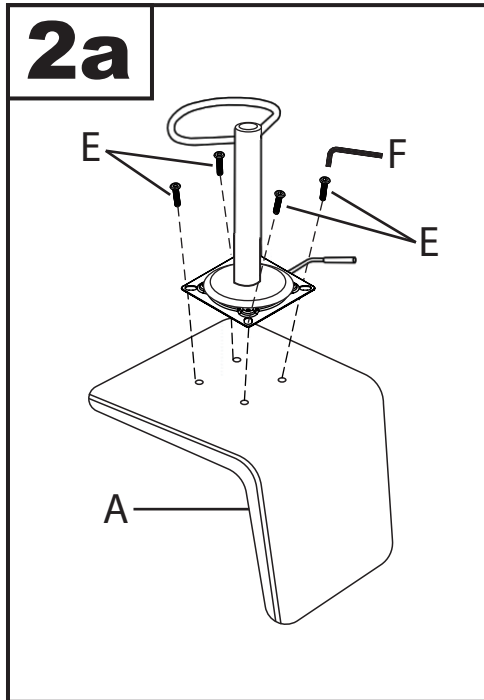
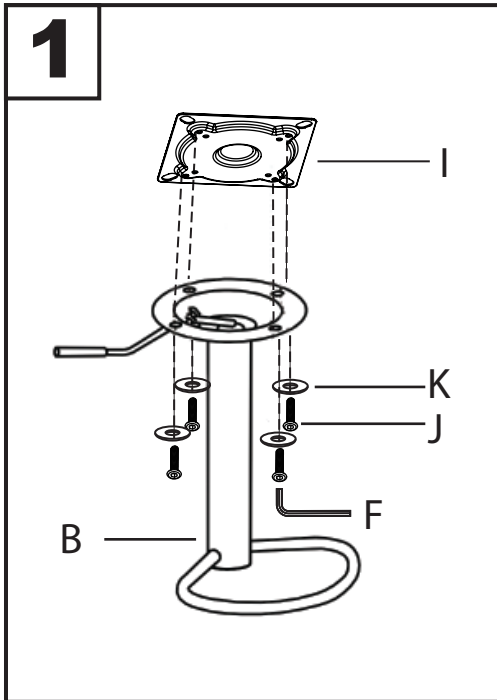


Adjustable Barstool Base - Oval

Part # J33-OVL R17 XX+XX with 3355ADAP

21-1115

 <p>(Seat May Vary) A</p>	<p>PARTS</p>  <p>B</p>			 <p>C</p>	 <p>D</p>	 <p>x4 (M6x16mm) E</p>	 <p>F</p>	 <p>x2 (M6x20mm) (Optional) *G</p>	 <p>x2 (Optional) *H</p>	 <p>I</p>	 <p>x4 (M6x12mm) J</p>	 <p>x4 K</p>
---	---	--	--	---	---	--	---	---	--	---	--	--


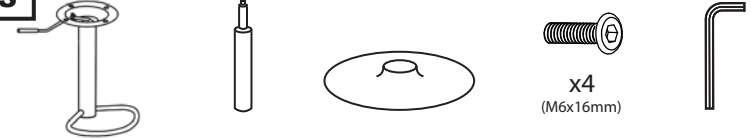



Do not over tighten.
Do not use power tools to assemble.

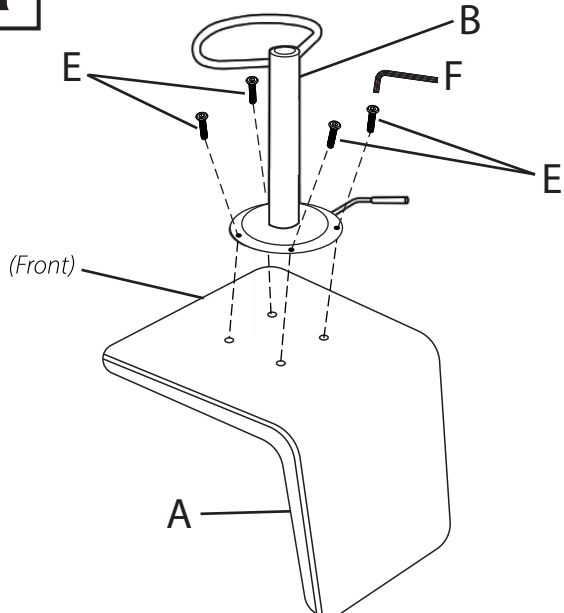
Adjustable Barstool Base - Oval

Part # J33-OVL R17 XX+XX

21-1115

 <p>(Seat May Vary)</p> <p>A</p>	<p>PARTS</p>  <p>B C D E F</p>						 <p>x2 (M6x20mm) (Optional)</p> <p>x2 (Optional)</p> <p>*G *H</p>
--	--	--	--	--	--	--	---

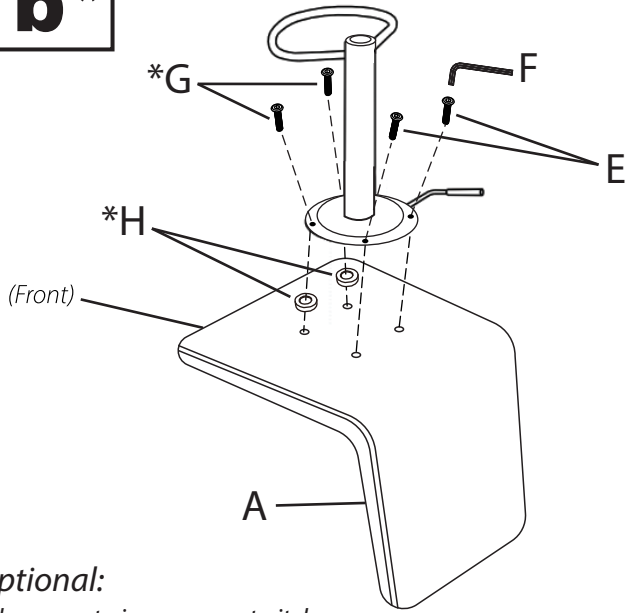
1a For smaller hole pattern



(Front)

A

1b*

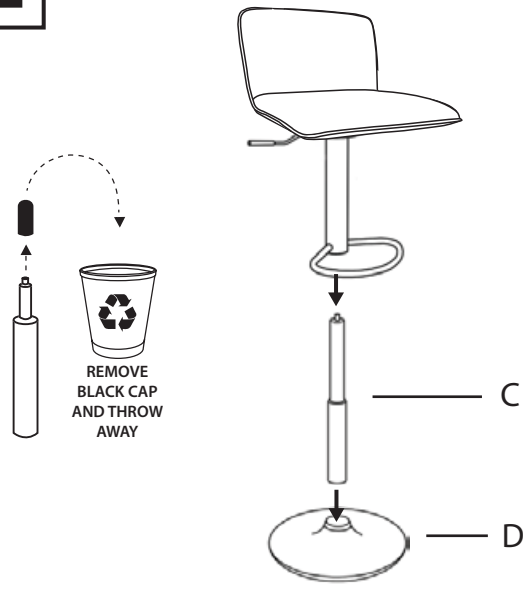


(Front)

A

**Optional:
Add spacers to increase seat pitch.*

2

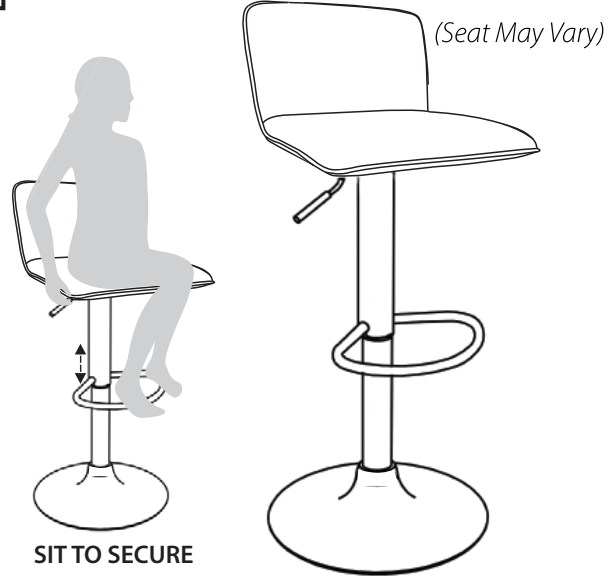


REMOVE BLACK CAP AND THROW AWAY

C

D

3



(Seat May Vary)

SIT TO SECURE



Do not over tighten.
Do not use power tools to assemble.